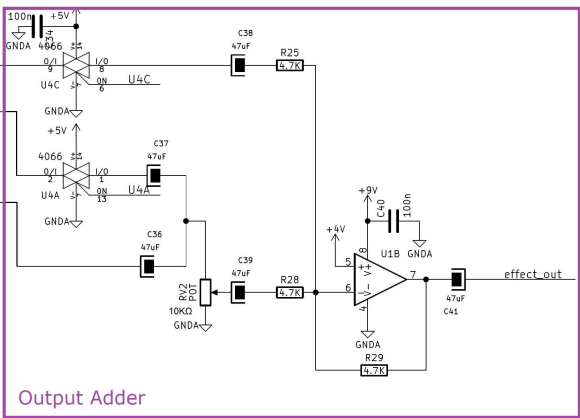
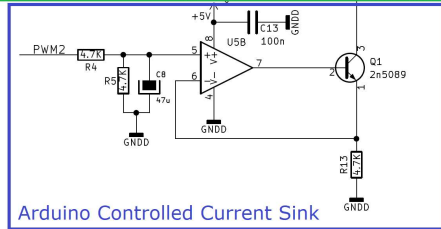


Input Buffer

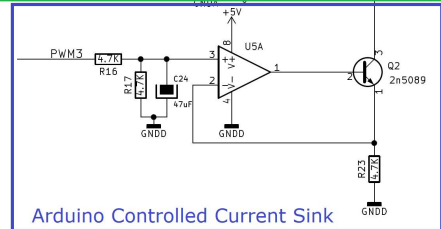
Dual PT2399 Delay Stage



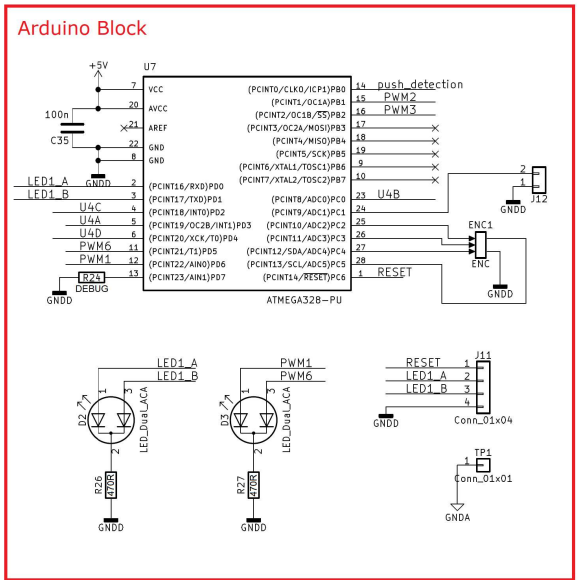
Output Adder



Arduino Controlled Current Sink

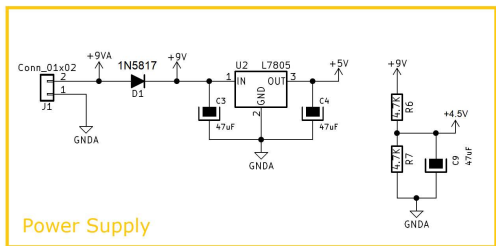


Arduino Controlled Current Sink

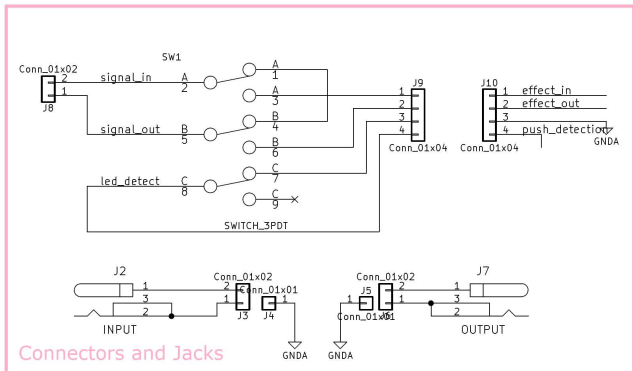


Arduino Block

Time Manipulator Schematic Parts



Power Supply



Connectors and Jacks